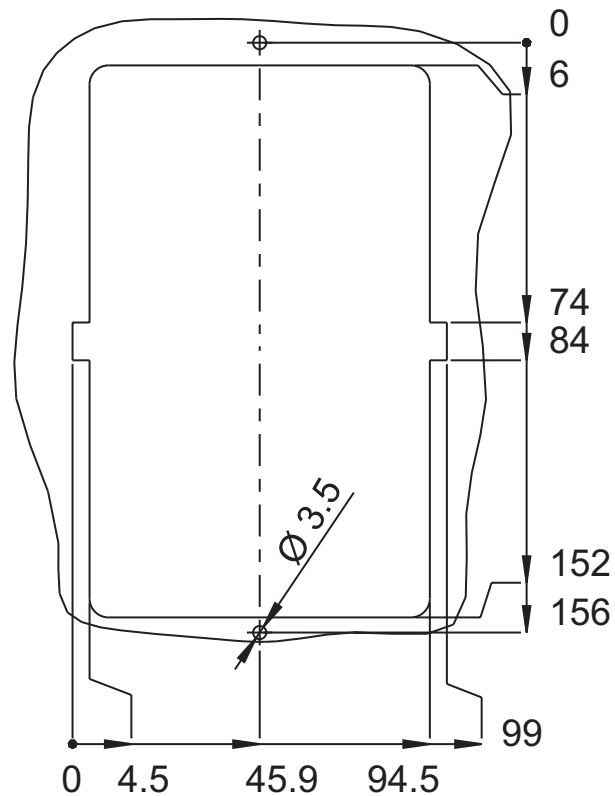
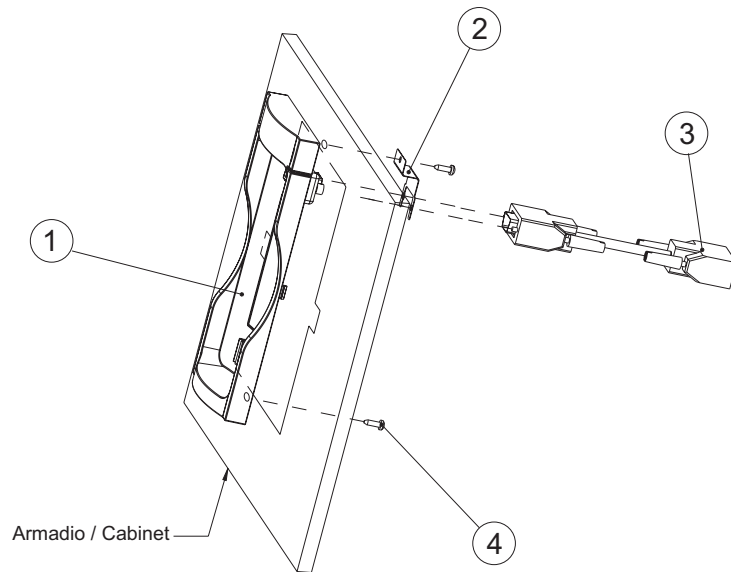




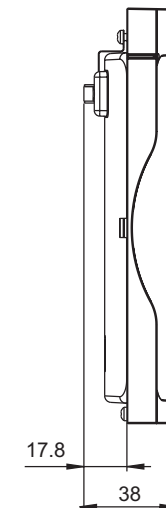
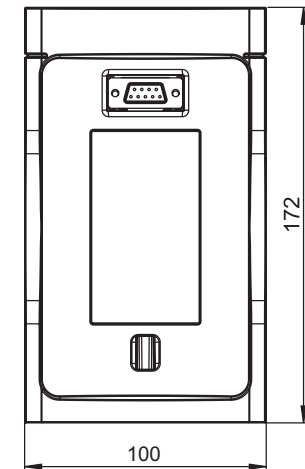
Dima di foratura / Drilling template (mm, scala 1:2)



Montaggio / Fixing :



Dimensioni (mm) / Dimensions (mm) :



Ref.	Q.ty	Description	KIT code	
			S5TT0	S5TT1
1	1	Supporto tastierino / Keypad support (cod. S7GEN1)	•	•
2	1	Schermatura tastierino / Keypad shield (cod. S7GEO)	•	•
3	1	Cable PCI / 485 MF-9F, Length=5mt	•	
	1	Cable PCI / 485 MF-9F, Length =10mt		•
4	2	Screw 2.9 x 9.5 (cod. 8S8L08)	•	•

Grado di Protezione / Protection degree: IP40