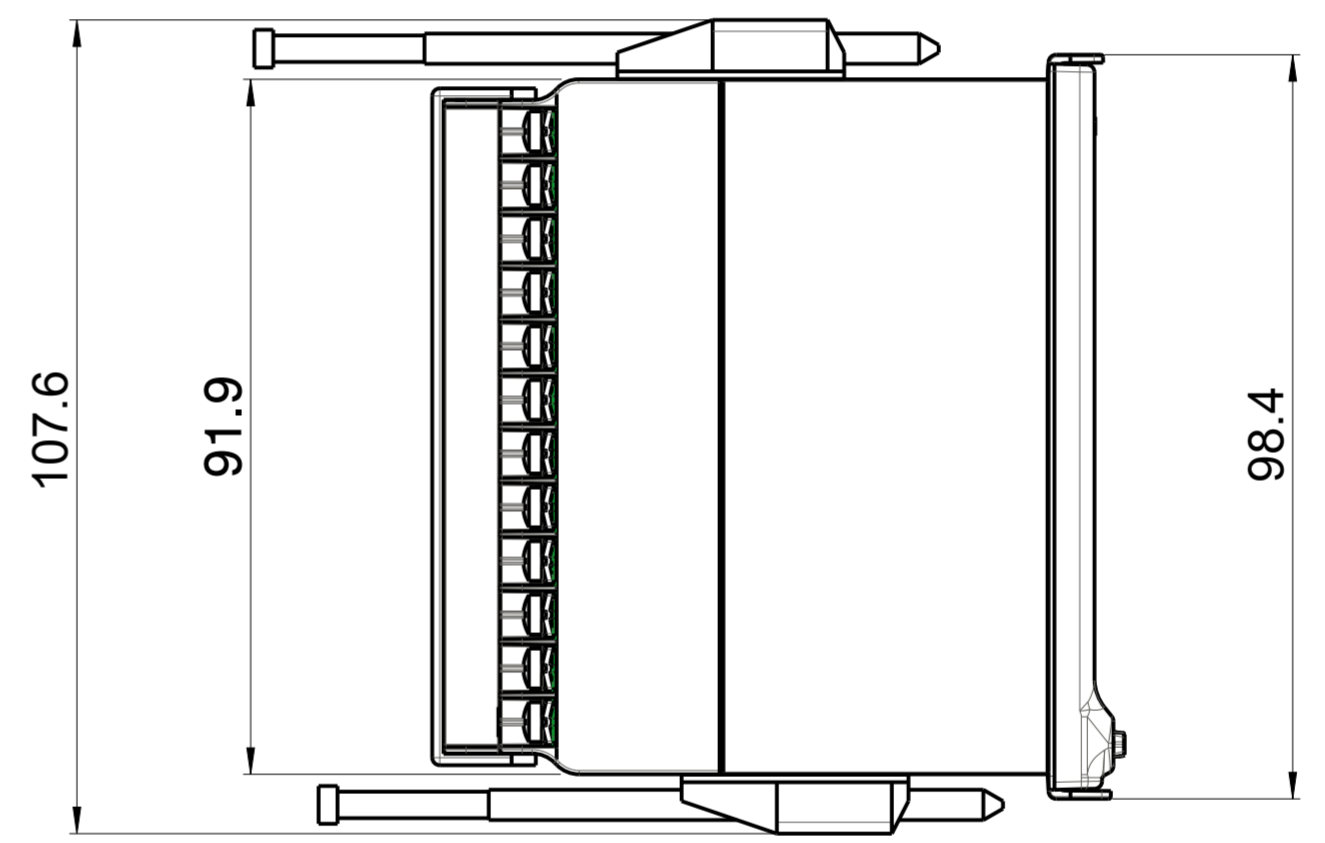
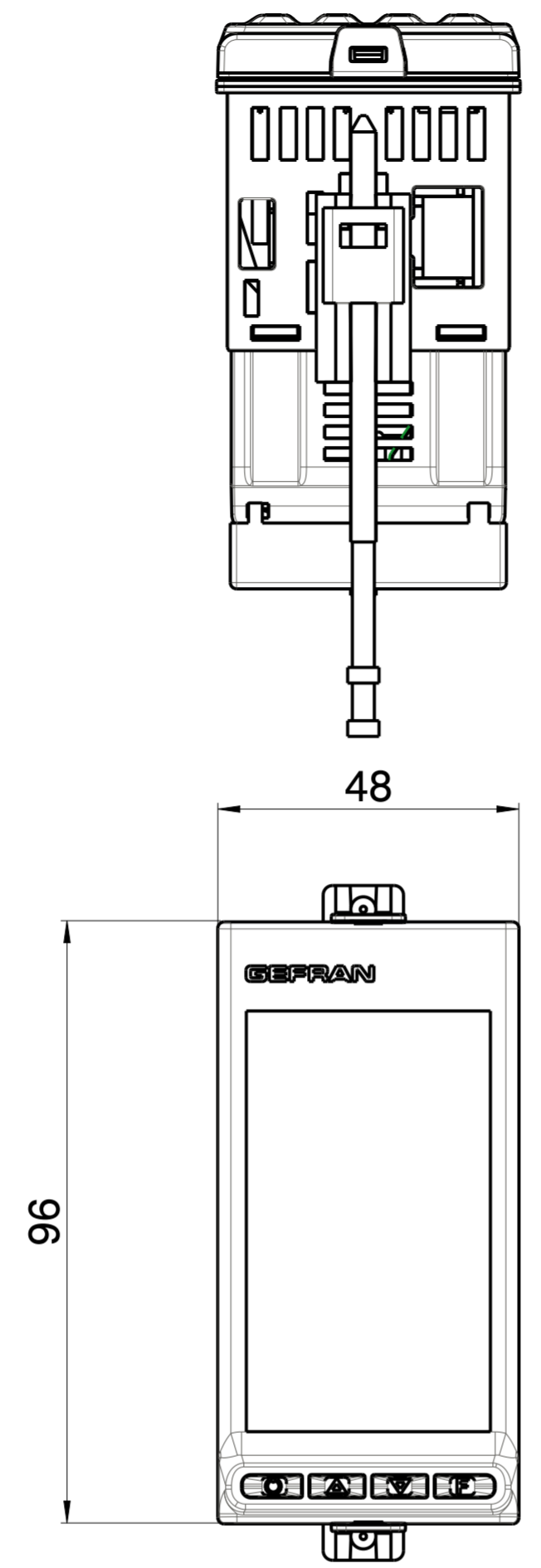
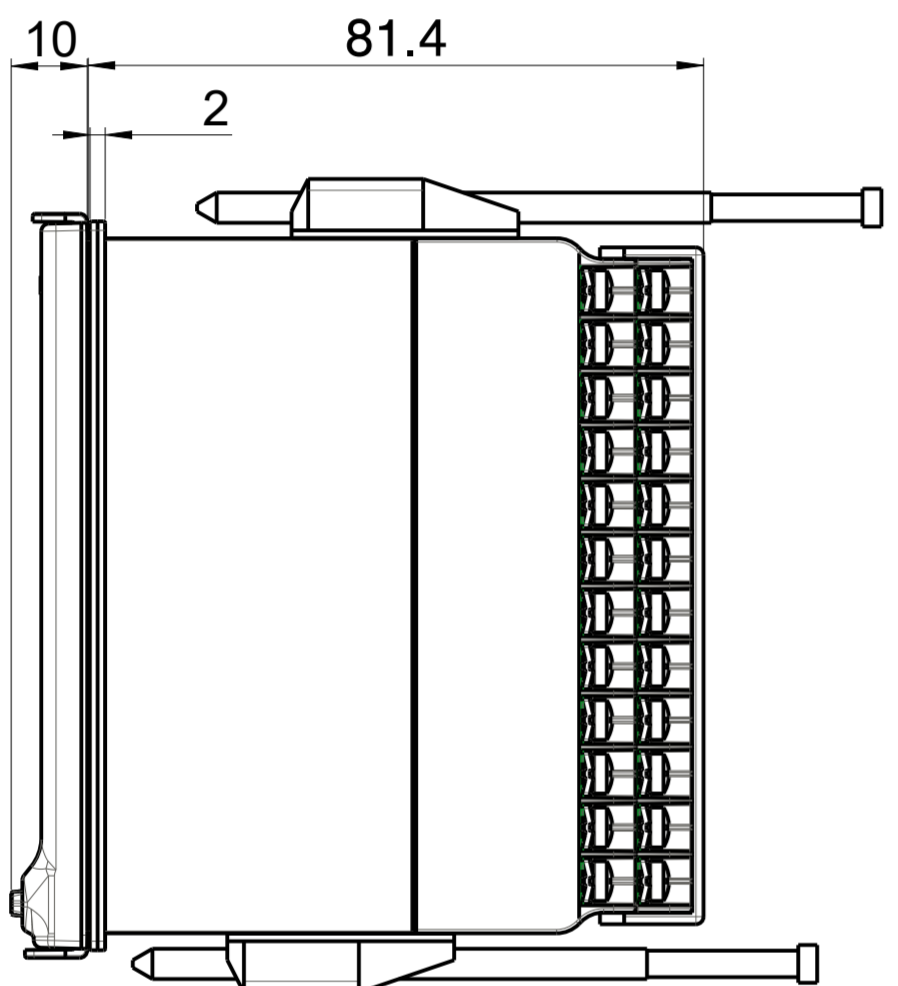


SCALA 1:1



GEFRAN S.p.A. reserves in terms of law, the property in the following drawing: no copy to third parties without authorization

Rev.	Author	Date	Modify Description	Rev.	Author	Date	Modify Description
Material:			SEE BOM	Treatment:	Finish:	GEFRAN Code: SEE TABLE	
Product Group:			INSTRUMENTS	General Tolerances	Sheet:	CAD File Name: 4896 ASSY	
Product Description:			1250 1650	CAD Revision:		-	
Denomination:			PID TEMPERATURE CONTROLLER (1/8 DIN)			Date: Aug-08-19	
IDT Name:						IDT Rev. : 06	Scale: 1:1 A2
Status:			Released			Executed by: P. Garatti	
						Checked by: U. Claudani	

GEFRAN
 GEFRAN S.p.A.
 Via Statale Sebina, 74
 25050 Provaglio d'Iseo
 (BRESCIA) - ITALY
 TEL. +39 030 9888-1
 FAX +39 030 9839063
 www.gefran.com
 info@gefran.com