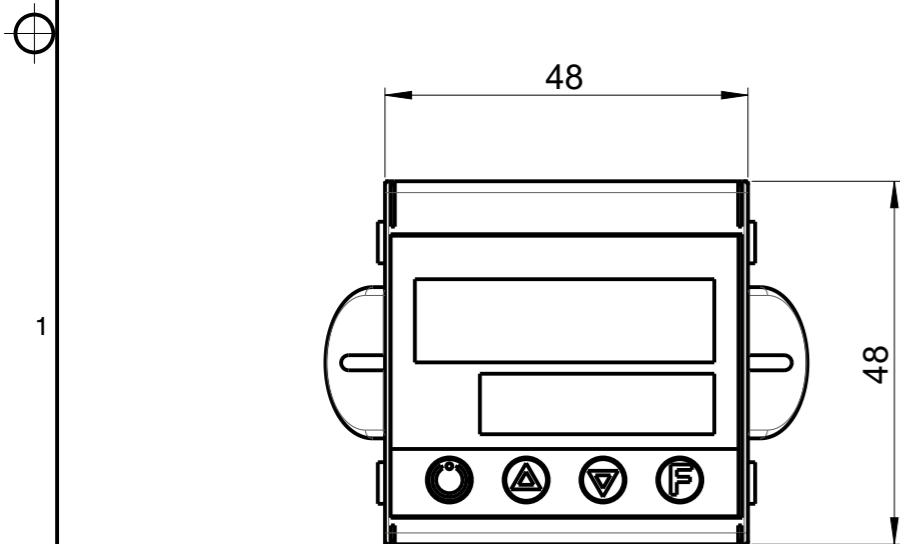
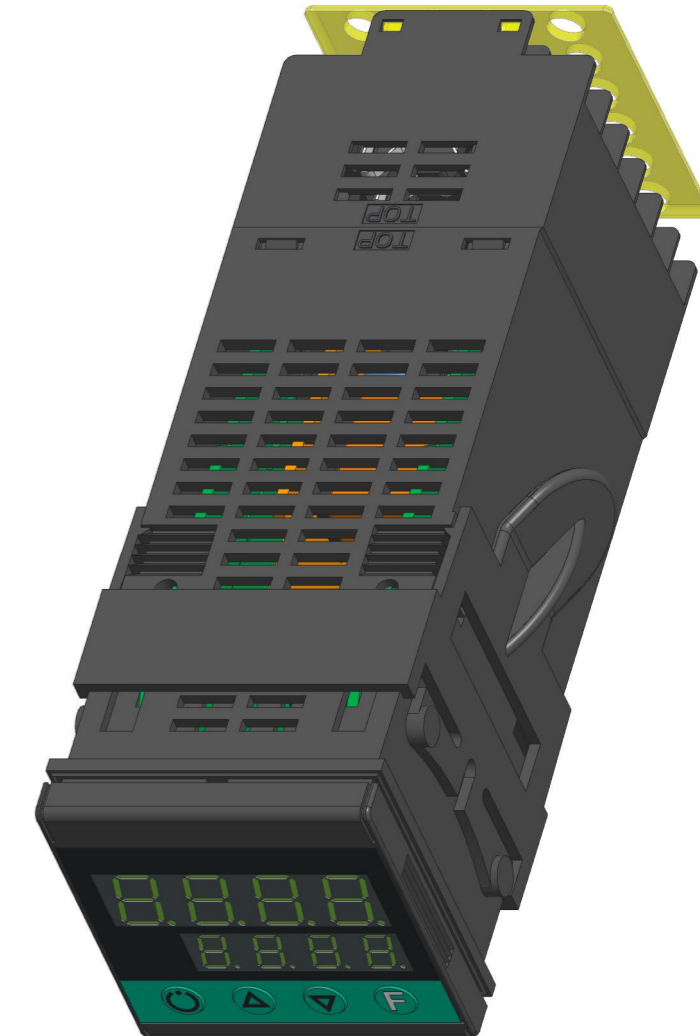
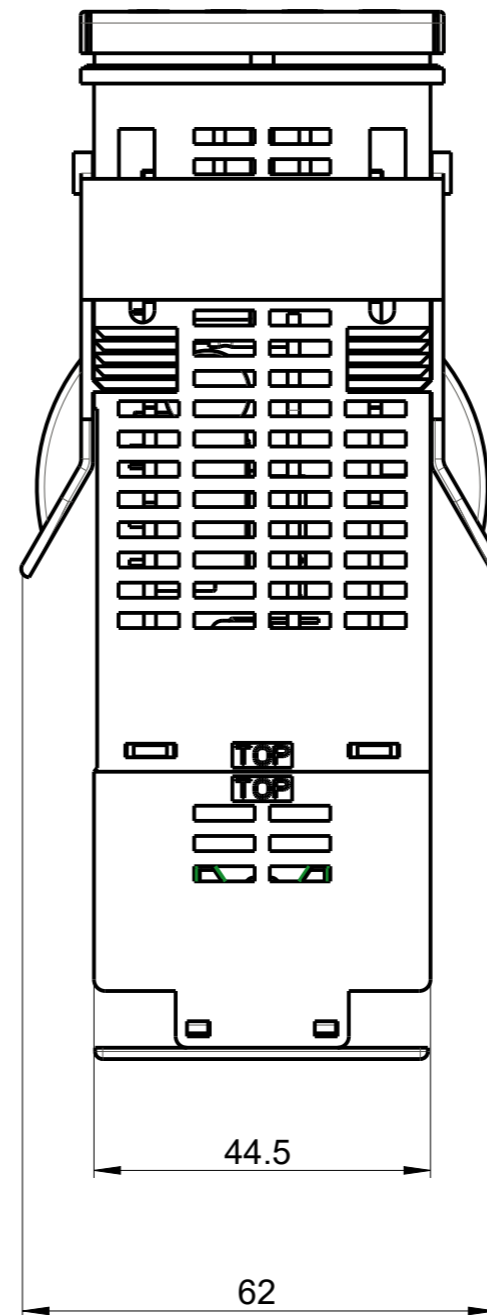
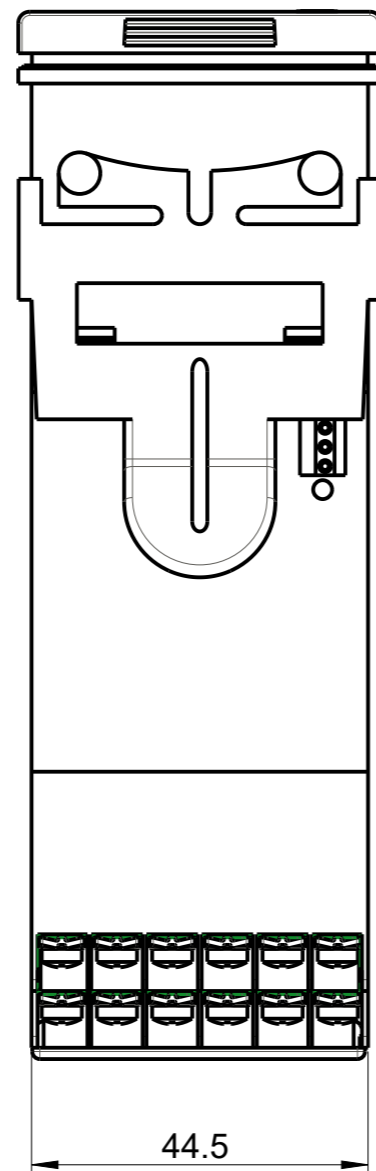
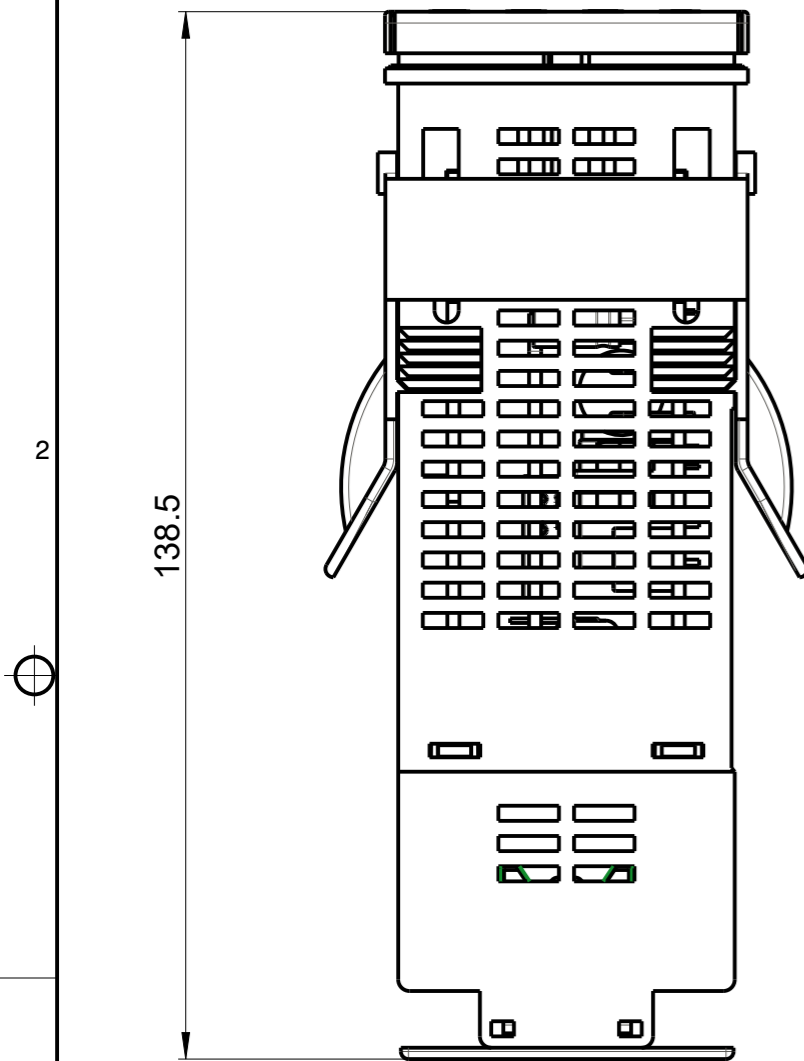


A

B

C

D



GEFRAN S.p.A. reserves in terms of law, the property in the following drawing: no copy to third parties without authorization

Rev.	Author	Date	Modify Description	Rev.	Author	Date	Modify Description

Material: Treatment: Finish: GEFRAN Code: X

Product Group: CONTROLLER General Tolerances: Sheet: 1/1 CAD File Name: 800 ASSY

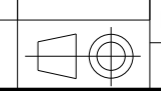
Product Description: 800 800P 800V 800PV CAD Revision:

Denomination: 48X48 (1/16 DIN) Date: Jul-11-19

IDT Name: IDT Rev.: Scale: 1:1 A3

Status: PTC_WM_LIFECYCLE_STATE Executed by: Garatti P.

GEFRAN S.p.A. Via Statale Sebina, 74 25050 Provaglio d'Iseo (BRESCIA) - ITALY TEL. +39 030 9888-1 FAX +39 030 9839063 www.gefran.com info@gefran.com



A

B

C

D