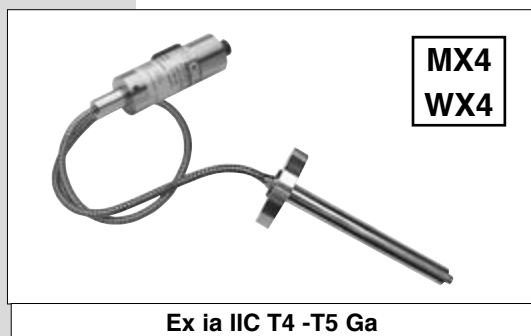


80531D
06-2021

COMPLEMENTARY DOCUMENTATION
SAFETY NOTE MX4/WX4



DESCRIPTION

Melt pressure transmitters are mercury-filled (MX4 series) or oil-filled (WX4 series).

The transmitters are designed and built according to European standards EN IEC 60079-0:2018, EN 60079-11:2012, EN 60079-26:2015.

The protection mode is Ex ia IIC T5, T4 Ga, ambient temperature
-20°C/+70°C(T4)
-20°C/+55°C(T5)

ELECTRICAL CHARACTERISTICS

CE 0 7 2 2 II 1 G Ex ia IIC T4, T5 Ga
Tamb: -20°C/+70°C (T4); -20°C/+55°C (T5)

- 0722** = number of Notified Body for supervision ATEX (CESI)
- II 1** = group II (surfaces), category 1
- G** = explosive atmosphere with presence of gases, vapours or mists
- Ex ia IIC T4/T5** = protection mode, gas group, temperature class
- Ga** = EPL (Gas)
- tamb** = ambient temperature

Maximum voltage Ui	30V
Maximum current Li	100mA
Maximum power Pi:	0,75W
Maximum capacity Ci:	26nF
Maximum inductance Li:	0,23mH
Room temperature:	-20...+55°C / +70°C

Correspondence between hazardous areas and categories, EPL

Substances		Categorie Directive 2014/34/EU	EPL Equipment
Gases, fumes or mists	Zone 0	1G	Ga
Gases, fumes or mists	Zone 1	2G or 1G	Gb or Ga
Gases, fumes or mists	Zone 2	3G, 2G or 1G	Gc, Gb or Ga
Dust	Zone 20	1D	Da
Dust	Zone 21	2D or 1D	Db or Da
Dust	Zone 22	3D, 2D or 1D	Dc, Db or Da

SAFETY INSTRUCTIONS FOR INSATALLATIONS IN DANGER ZONES

The Melt pressure transmitter must be installed and serviced in accordance with the system and maintenance standards for environments classified against the risk of explosion due to the presence of gas.

(Example: EN 60079-14, EN 60079-17 or other national regulations/standards).

The Melt pressure transmitter must be connected to associated devices (galvanic isolation barriers) certified [Ex ia] IIC having the following characteristics:

maximum voltage $U_o \leq 30V$;

maximum current $I_o \leq 100mA$

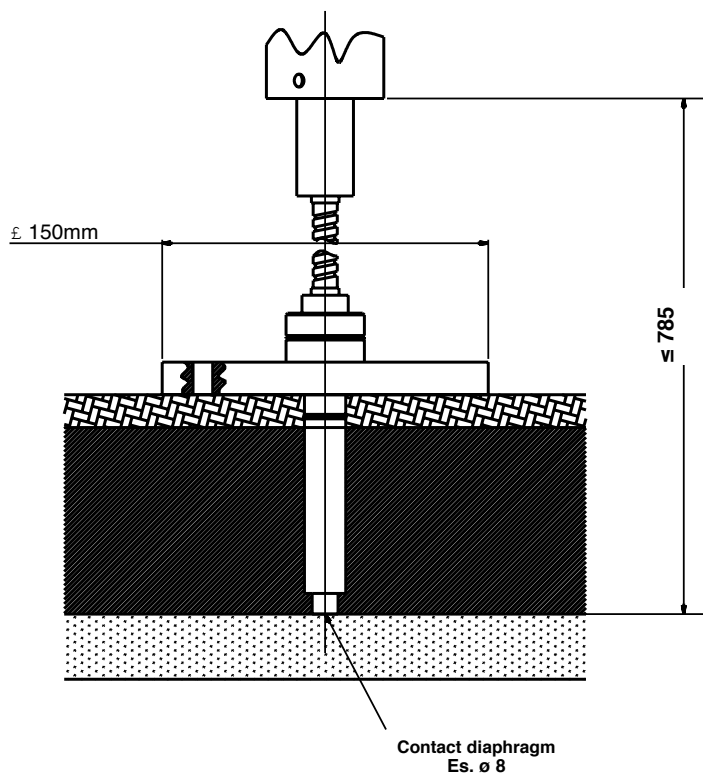
maximum power $P_o \leq 0,75W$


MOUNTING INSTRUCTIONS FOR INSTALLATIONS IN DANGEROUS ZONES

Based on the application, the Melt pressure transmitters have to be installed according to the instructions shown in the following figures.

T4 : Tamb: -20°C +70°C

T5 : Tamb: -20°C +55°C



 Thermal isolating material with adequate thickness for the process temperature

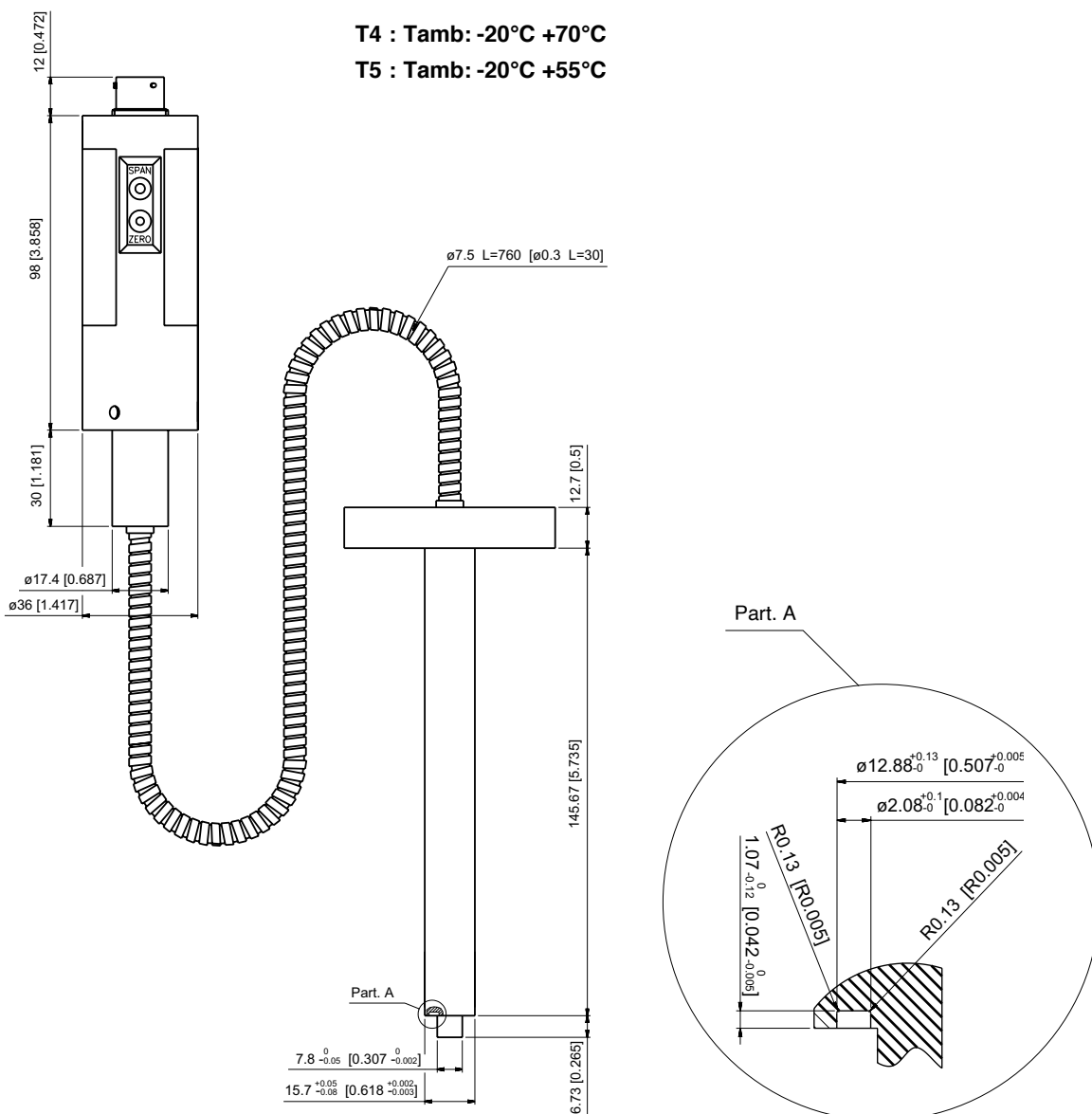
 Installation Vs process

 Fluid at temperature Max. (400°C)

MECHANICAL DIMENSIONS TRANSMITTER

T4 : Tamb: -20°C +70°C

T5 : Tamb: -20°C +55°C



FLANGE DIMENSIONS

