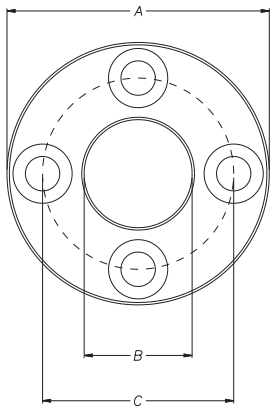


FLOATING CURSORS



PCUR022

DIMENSIONS

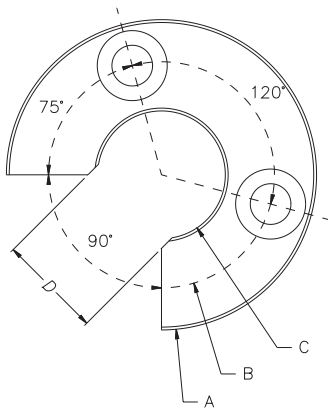
Diameter A = 32.8 mm
 Diameter B = 13.5 mm
 Diameter C = 23.9 mm
 Thickness = 7.9 mm

MATERIAL

Aluminum

ENCLOSURES

N°8 Brass nuts M4
 N°8 Brass washers D4
 N°4 Brass screws M4x25



PCUR023

DIMENSIONS

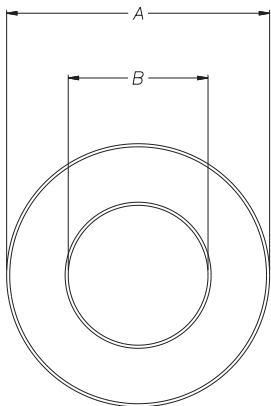
Diameter A = 32.8 mm
 Diameter B = 13.5 mm
 Diameter C = 23.9 mm
 Thickness = 7.9 mm

MATERIAL

Aluminum

ENCLOSURES

N°4 Brass nuts M4
 N°4 Brass washers D4
 N°2 Brass screws M4x25



PCUR024

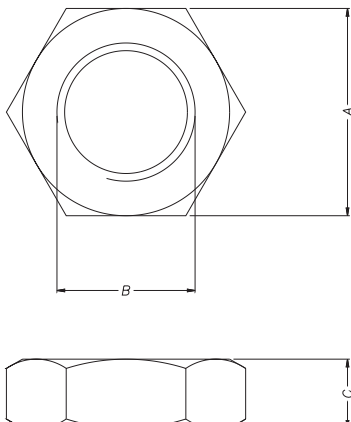
DIMENSIONS

Diameter A = 25.4 mm
 Diameter B = 13.5 mm
 Thickness = 7.9 mm

MATERIAL

Aluminum

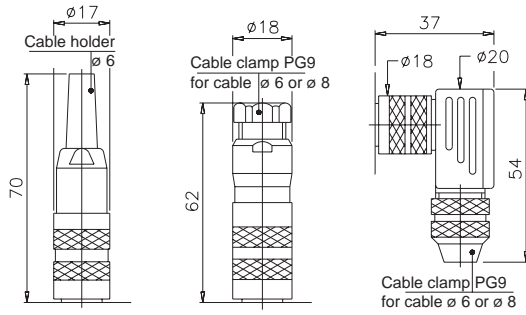
HEXAGON LOCK NUT



MODEL	FLA002	FLA003
Height A	CH 27	
Thread B	M 18 x 1.5	3/4" -16 UNF
Height C	mm	9
Material	AISI 316 steel	

CONNECTORS

For versions IK1 B only 6-pin DIN 45322 output
Non-isolated



CON 021
IP40 EMV

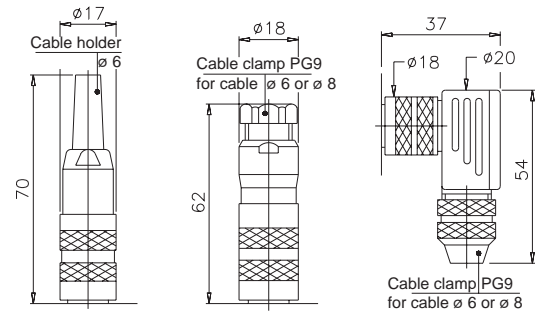
CON 022
IP67 EMV

CON 023
IP67 EMV

Connector extraction length 10 mm

CONNECTORS

for versions IK1 C only 8-pin DIN 45326 output
isolated



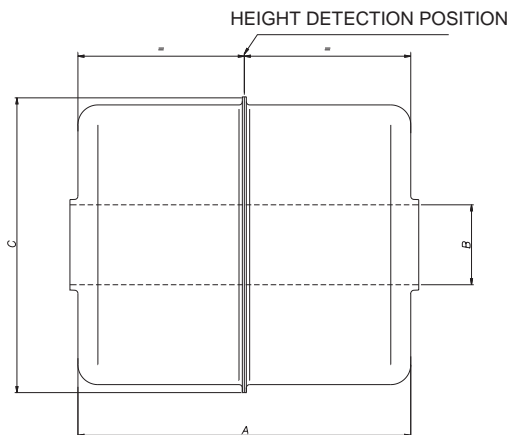
CON 026
IP40 EMV

CON 027
IP67 EMV

CON 028
IP67 EMV

Connector extraction length 10 mm

FLOATING CURSORS FOR LIQUIDS

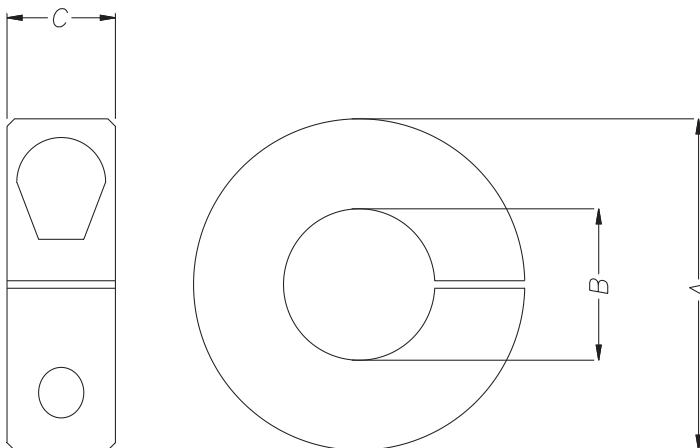


MODEL		PCUR026	PCUR027
Length A	mm	52.4	
Diam. B (Hole)	mm	12	15
Diam. C	mm	42	
Material		AISI 316 steel	

Note:

The supply for cursors PCUR026 and PCUR027 includes float stop kit PKIT036

FLOAT STOP PKIT036



DIMENSIONS

Diameter A = 22 mm
Diameter B = 10.5 mm
Diameter C = 7.2 mm
Thickness = 7.9 mm

MATERIAL

AISI 316 steel

ENCLOSURES

N°1 Washer AISI316 D3
N°1 Screw AISI316 M3x8

code: **MIM518**
code: **MIM849**

GEFRAN spa reserves the right to make any kind of design or functional modification at any moment without prior notice.

GEFRAN spa
via Sebina, 74
25050 PROVAGLIO D'ISEO (BS) - ITALIA
tel. 0309888.1 - fax. 0309839063
Internet: <http://www.gefran.com>
www.gefranonline.com

GEFRAN



IK ACC - 07/04