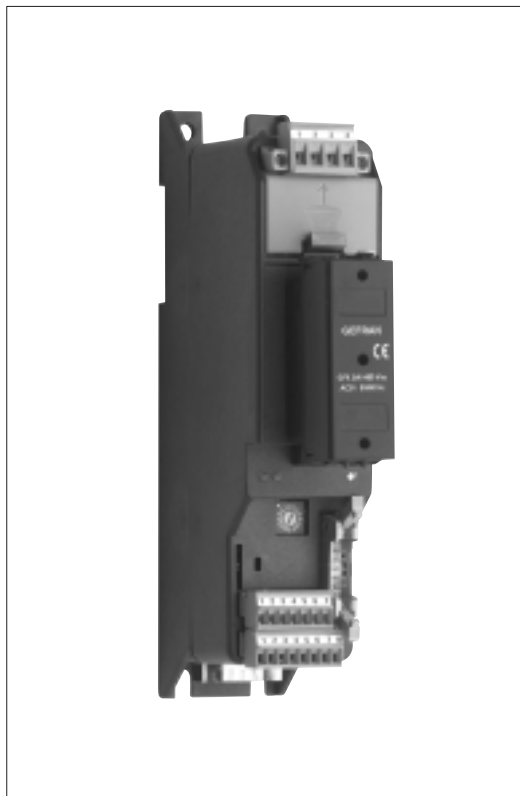


### Principali applicazioni

- Ovens
- Processing plants for chemical and pharmaceutical industries
- Food processing plants
- Sterilizers, autoclaves, continuous ovens and drying unit ceramics and bricks



### Main features

- Two versions:  
MASTER - independent temperature control and communication unit  
SLAVE - independent temperature control unit
- Protection: IP20
- Universal temperature input, accuracy 0.2%
- Configurable digital input
- Module with double relay with valve open/close function
- Logic output or "cooling" relay
- Heat/cool PID, selection of cooling fluid, self-tuning, auto-tuning, soft-start
- 4 generic alarms, LBA alarm
- 2 configurable relay outputs
- Field bus for Master  
Standard: "Modbus RTU" with Serial 485 optically  
Option: "PROFIBUS DP", "CANopen", "DeviceNet"

### PROFILE

Rear panel microprocessor instrument for 3-way motorized valves.

The main input for the for the variable to be adjusted is universal, and gives the possibility of connecting various signal types: thermocouples, resistance thermometers, thermistors, linear inputs and potentiometer, all with possibility of custom linearization.

A second isolated auxiliary analog input is available, with fully configurable functions for linear signals or input from potentiometer for valve position. Specific parameters are present for the valve control, such as actuator stroke time, minimum movement time, movement trip setpoint, dead zone. You can also select function type, with or without potentiometer, and with PID or PD algorithm.

### Models and communication

The system has high communication capacity and interfaces without limitation with the automation environment. Three standard protocols are available: Modbus RTU, Profibus DP and

CANopen implemented in the Geflex "master", which in turn communicates with up to nine Geflex "slaves" by means of an internal bus.

### Mechanics

The mechanical elements have been carefully designed and tested for maximum ease of installation and to guarantee high resistance to vibration and thermal stress.

### Diagnostic LEDs

The lower section has three LEDs that indicate the functional state of the main output, ERROR LED, and RUN OK LED.

### Temperature input

The temperature input is universal and can be connected to a wide variety of signal types: thermocouples, resistance thermometers, input from 0...60mV, 0...20mA, 0...1Vdc, transmitters, definable only by software, without the need for external adapter shunts. Accuracy of 0.2% guarantees excellent control of the heat process.

### Outputs and digital input

The instrument can have up to 3 outputs: a cooling relay (3A, 250V), logic (24Vdc, 35mA) or continuous (0/4...20mA, 0...10V) and two optional alarm relay outputs (3A, 250V). The outputs are freely configurable via software.

By means of internal bus, each "slave" can activate the two relay outputs on the "master" following alarm conditions to create electrical clearance or block signals set to assure safe operation of technological systems.

This further reduces electromechanical wiring.

At the logic level, there are 4 generic alarms configurable as: absolute, deviation, direct, reverse, window, in latching or non-latching mode, disabled at power-up.

With the isolated digital input always available, you can select one of the two pre-settable set points select Manual-Automatic mode, reset the alarms memory, or enable the hold function.

## Programming

The Geflex modules can be programmed via a supervisor (industrial PC, HMI) or via the GFX\_OP terminal (see accessories). Both solutions provide complete configurability and diagnostics for every Geflex (Master/Slave). For even simpler configuration, a programming kit (from notebook PC or palm PC) is available, composed of an IRDA interface unit and WINSTRUM (a guided program for Windows environment - see technical sheet).

## TECHNICAL DATA

### INPUTS

Input range: 0...60mV.

Sampling time: 120msec.

Accuracy: 0,2%fs  $\pm$ 1 scale points at 25°C.

Resolution : < 2 $\mu$ V for range 60mV.

Input filter: 0...20,0sec.

Zero offset adjustable in range:

-999...+999 scale points.

### Main input

Thermocouple, Resistance Thermometer, Linear.

Application: process variable.

#### Thermocouples:

ITS90: J, K, R, S, T, custom.

Cold junction compensation: internal, with automatic compensation.

#### Resistance Thermometer:

Pt100 DIN 43710, J Pt100, custom.

#### Linears/Transmitters:

range 0...60mV, 0...20mA, 0...1Vdc (configurable within limits).

Possible 32 segment custom linearization.

### Digital input

PNP 24V, 8mA (isol. 3500V)

Applications: Man/Auto, Loc/Rem, Hold, Reset alarms, Select setpoint, shut down software.

### Auxiliary input

0/4...20mA ( $R_i > 50\Omega$ )

0/2...10V ( $R_i > 100K\Omega$ )

Potentiometers  $\geq 1K\Omega$

### OUTPUTS

3 Relays / 1 Logic or 1 Continuous + 2 Relays.

#### - Relay

NO, max 3A, 250V resistive load.

Application: cooling, alarms.

#### - Logic

24Vdc, 35mA.

Application: cooling, alarms.

#### - Continuous

0...10V; 0/4...20mA

Application: cooling, alarms.

#### - Double relay module

2 Relays, NO contacts, single common. Max. 3A, 250V resistive load.

### **DIGITAL COMMUNICATION, FIELD BUS**

Asynchronous serial transmission.

Standard protocol: MODBUS RTU

RS485 2 wires, 1200...19200 baud.

Optional protocol: CAN OPEN

10K...1M bit/sec, PROFIBUS DP

9,6...12Mbit/sec.

### **Safety**

Detection of short circuit or opening of input probe, open loop alarm (LBA), load fault alarm (HB), overheat SCR.

### **PROCESS CONTROL FUNCTIONS**

#### **Control**

PID, PI, PD, P, On/Off, heat, cool, heat + cool with fluid selection.

Manual/Automatic: Bumpless or with manual forcing of output.

#### **Tuning**

- Self-tuning: calculation of PID parameters at system start.

- Auto-tuning: continuous adjustment of PID.

#### **Special functions**

Soft-start, power limitation, software shut down.

#### **Alarms**

Up to 4:

absolute, deviation, symmetric, direct, reverse, latching and non, LBA, HB.

Reference: PV, SP, auxiliary input (for HB).

#### **Multiset**

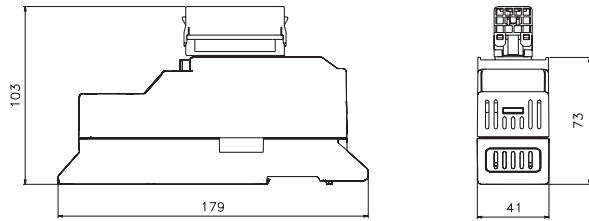
Double setpoint with gradient selectable from digital input

### **POWER SUPPLY**

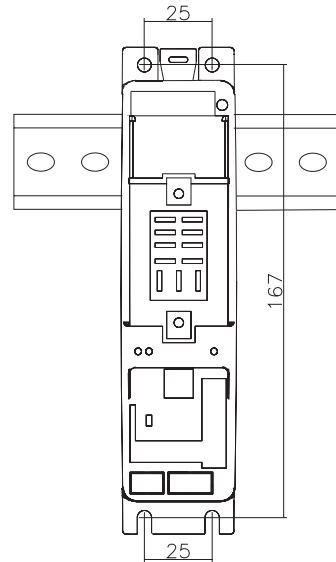
24Vdc  $\pm$ 25%, 5W

## DIMENSIONS AND CUTOUT

Base with "Double Relay" module



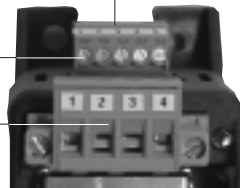
Base  
Mounting on electromechanical plate with quick coupling to DIN EN50022 guide or with 5mA screws



## DESCRIPTION OF FACEPLATE

**J5**  
Auxiliary input terminal board

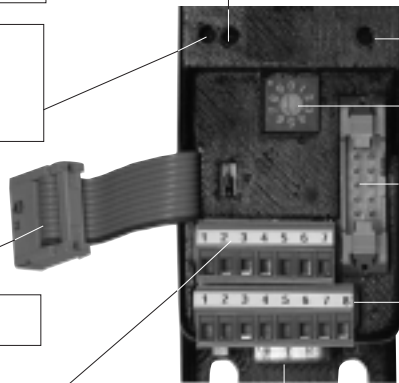
**J4**  
Power terminal board



Connection key to DIN EN50022 guide

**Led L2 "Error" LED (red)**  
Activates when one of the following errors is present:  
LO = process variable value is < di Lo.S  
HI = process variable value is > di Hi.S  
Sbr = broken probe or input values beyond maximum limits  
Err = third wire broken for Pt100, PTC or input values below minimum limits  
(ex.: for CT with incorrect connection)

**Led L1 "Status" LED (green)**  
Freely settable with parameter  
**197 (Ld.St).**  
Default setting is 16  
(RUN flashes)



**Led L3 "Main" (yellow)**  
Follows trend of open valve (OUT1)

Fieldbus node selection

**J3**  
Connection to next module

**J2**  
Output terminal board

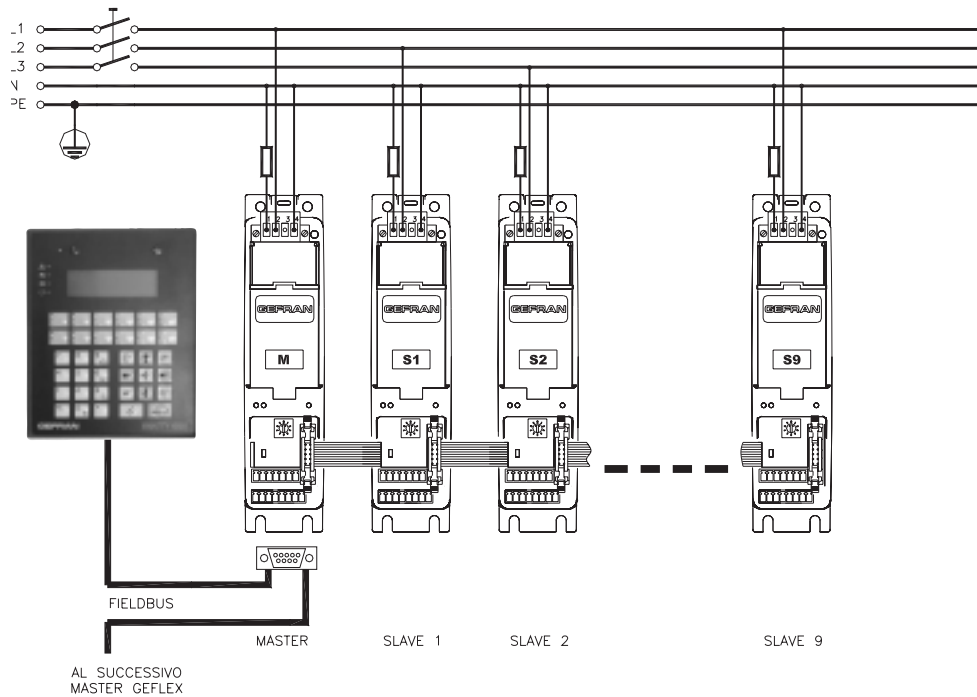
Connection to previous module  
(Slave and Expansion modul only)

**J1**  
Probe and power supply terminal board

Fieldbus connection  
(Master moduls only)

## CONNECTION EXAMPLES

### Connection of MASTER + SLAVE modules

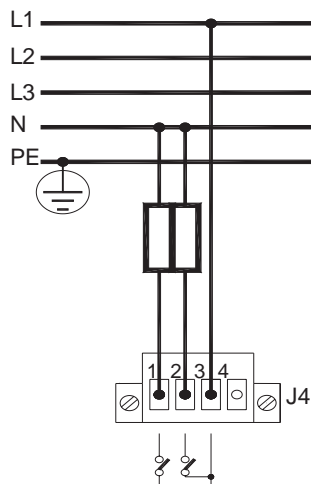


### TABLE FOR SELECTION OF WIRE TERMINALS FOR POWER AND SIGNAL TERMINAL BOARDS

	Flexible wire conductor	Conductor with prod terminal with insulating collar
<b>SIGNAL</b>	0,14 - 1,5mm <sup>2</sup> / 28-16AWG	0,25 - 0,5mm <sup>2</sup> / 24-20AWG
<b>POWER</b>	0,2 - 2,5mm <sup>2</sup> / 24-12AWG	0,25 - 2,5mm <sup>2</sup> / 24-12AWG
Cross-cut screwdriver, blade 0.4 x 2.5mm		

## ELECTRICAL CONNECTIONS

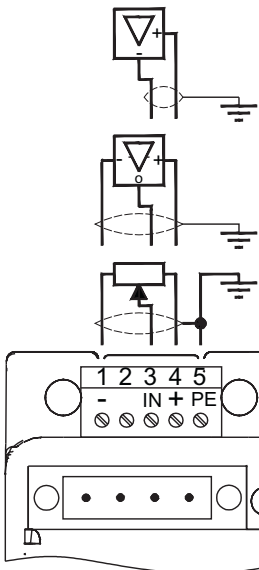
### Power connections



Open valve (OUT 1): jumper 1-3  
Close valve (OUT 7): jumper 2-3

Double relay module "RR"

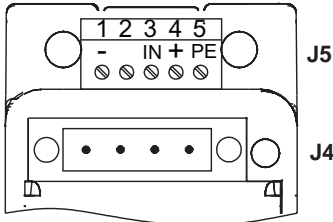
## Input / Output / Power Supply connections



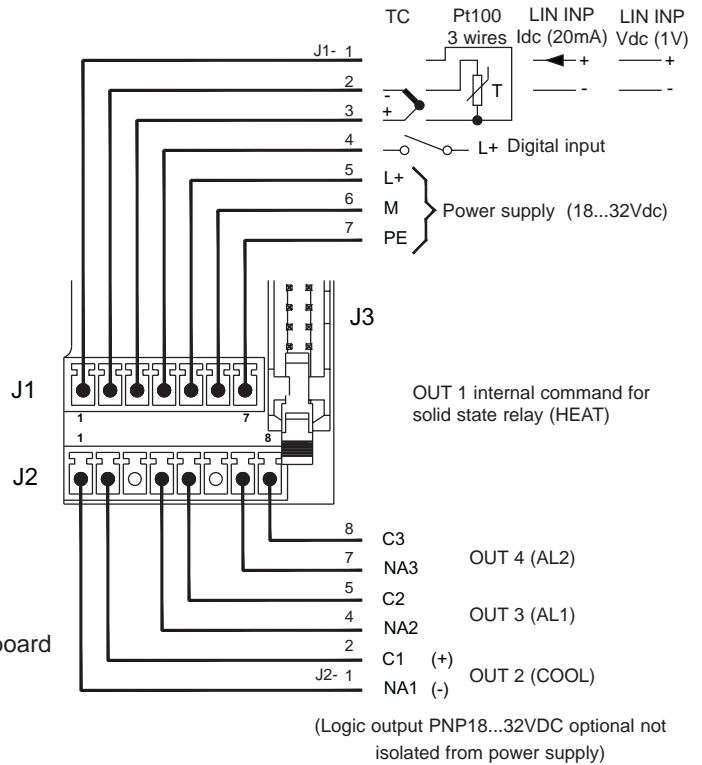
Amplified probe  
Current 0...20mA d.c.

Amplified probe  
Voltage 0...10V d.c.

Potentiometer  
1KΩ...100KΩ



- J1:** Probe and power supply terminal board
- J2:** Relay output terminal board
- J3:** Connection among modules
- J4:** Power terminal board
- J5:** Aux. input terminal board

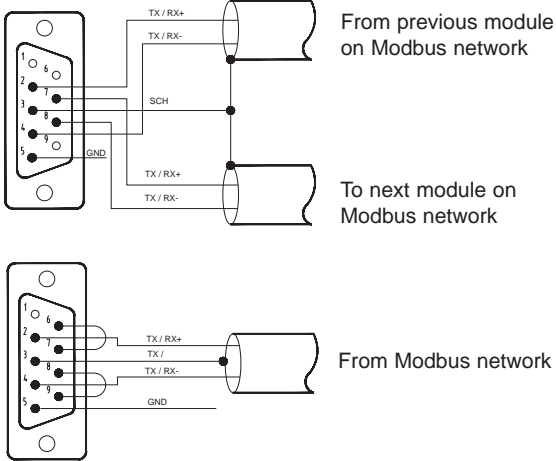


## Serial connections

### “MODBUS” serial

D-SUB Connector  
9-pin Male

Shielded cable 1 pair 22 AWG  
MODBUS conformity

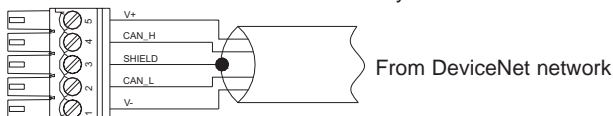


We advise you to connect pins 6 to 7 and pins 8 to 9 on the connector of the last Geflex on the Modbus network to insert the line termination.  
It is also advisable to connect the "GND" signal between Modbus devices having a line distance > 100m.

### “DeviceNet” serial

Connector 5 pin

Shielded cable 2 pairs 22/24 AWG  
DeviceNet conformity

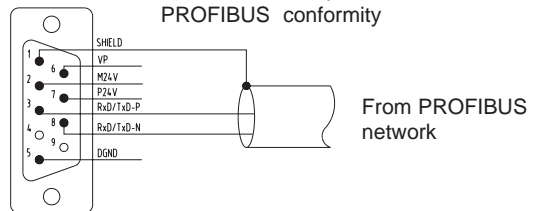


We advise you to connect a 120Ω 1/4W resistance between the "CAN\_L" and "CAN\_H" signals at both ends of the DeviceNet network.

### “PROFIBUS DP” serial

D-SUB connector  
9-pin Male

Shielded cable 1 pair 22 AWG  
PROFIBUS conformity

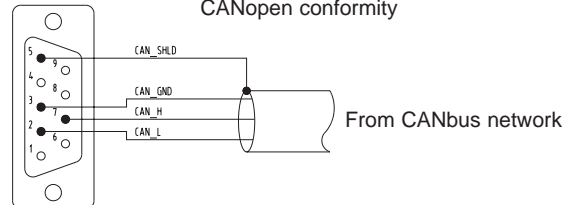


We advise you to connect a 220Ω 1/4W resistance between the "RxD/TxD-P" and "RxD/TxD-N" signals, a 390Ω 1/4W resistance between the "RxD/TxD-P" and "Vp" signals, and a 390Ω 1/4W resistance between the "RxD/TxD-N" and "DGND" signals at both ends of the Profibus network.

### “CANopen” serial

D-SUB Connector  
9-pin Female

Shielded cable 2 pairs 22/24 AWG  
CANopen conformity



We advise you to connect a 120Ω 1/4W resistance between the "CAN\_L" and "CAN\_H" signals at both ends of the CANbus network.

## ORDER CODE

### Master Valve

GFX-M2 B\_V / 0 M 0 RR P 0

FUNCTIONAL MODULE	
Without functional module	B_V
With double relays modul	V

SERIAL COMMUNICATION	
MODBUS RTU	M
PROFIBUS DP	P
CANopen	C
DeviceNet	D

COOLING OUTPUT	
Absent	0
Logic	D
Relays	R
Continuous output 0...10V (0/4...20mA)	C

DIAGNOSTIC	
0	None
IM	Multifunction input 0/4...20mA, (0...10V)
PO	Potentiometer input

DIGITAL INPUT	
P	PNP Digital Input

AUXILIARY OUTPUTS	
RR	2 Relays

### Slave Valve

GFX-S2 B\_V / 0 0 0 00 P 0

FUNCTIONAL MODULE	
Without functional module	B_V
With double relays modul	V

COOLING OUTPUT	
Absent	0
Logic	D
Relays	R
Continuous output 0...10V (0/4...20mA)	C

DIAGNOSTIC	
0	None
IM	Multifunction input 0/4...20mA, (0...10V)
PO	Potentiometer input

DIGITAL INPUT	
P	PNP Digital Input

AUXILIARY OUTPUTS	
0	Absent
RR	2 Relays

GEFRAN spa reserves the right to make aesthetic or functional changes at any time and without notice.



The instrument conforms to the European Directives 2004/108/CE and 2006/95/CE with reference to the generic standards :  
EN 61326-1 EN (product), EN61010-1 (safety)

**GEFRAN**

GEFRAN spa via Sebina, 74 - 25050 Provaglio d'Iseo (BS)  
Tel. 03098881 - fax 0309839063  
Internet: <http://www.gefran.com>

GEFLEX GFX-V\_06-2010\_ENG