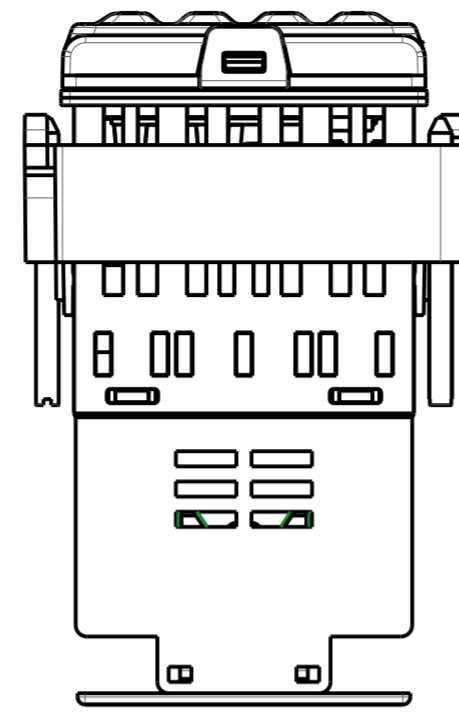


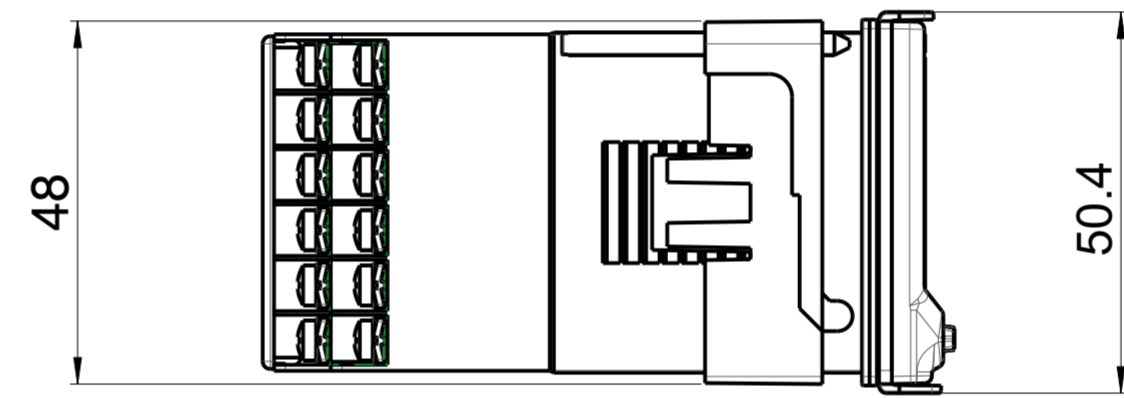
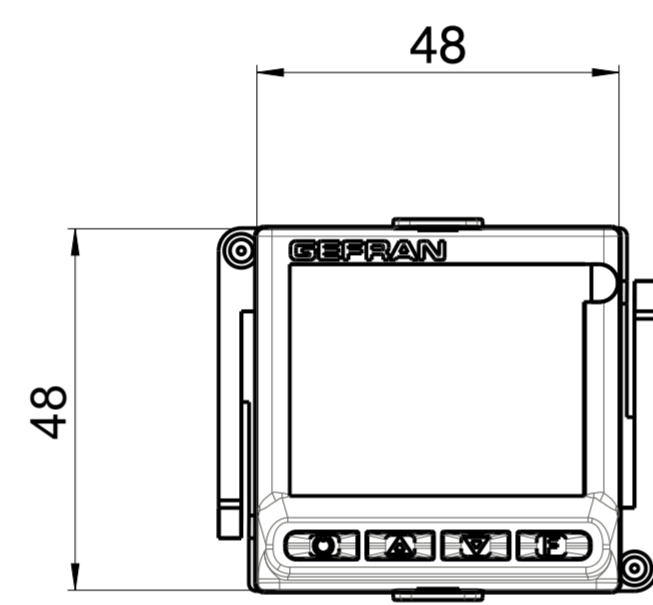
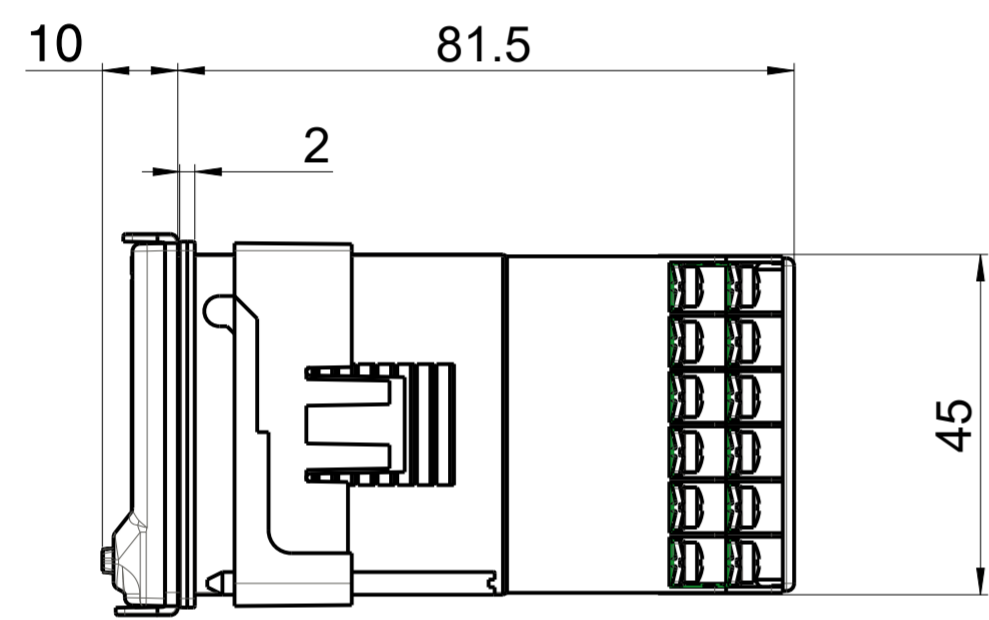
A B C D E F

3

3

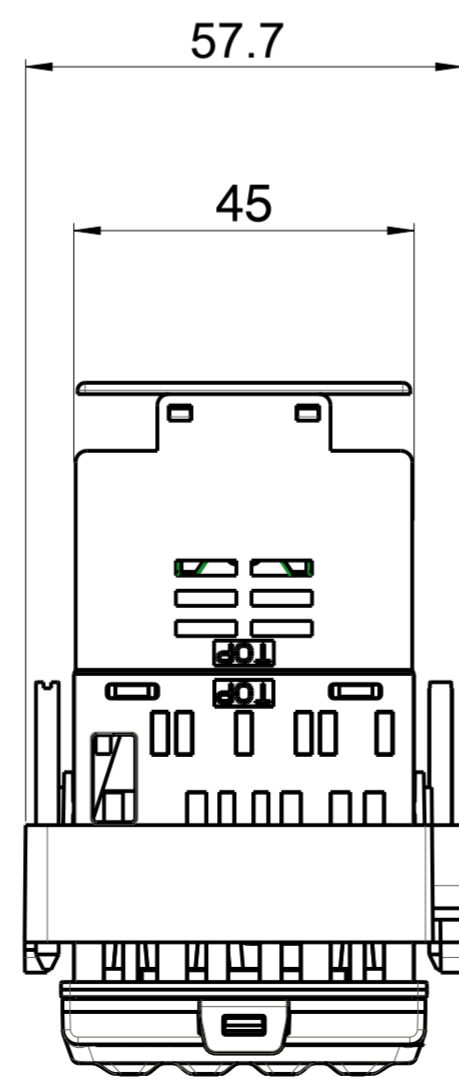


SCALA 3:2



2

2



1

1

GEFRAN D&M SRL reserves in terms of law, the property in the following drawing: no copy to third parties without authorization

Rev.	Author	Date	Modify Description	Rev.	Author	Date	Modify Description
Material: SEE BOM				Class: A	Finish:	Code: SEE TABLE	
TREATMENT:		Gen.Toler.	Sheet: 1/1	Drawing No:		Revision: -	
Denomination: 650			Date: Aug-07-19		Scale: 1:1 A2		
Description: 48x48			Executed by: P. Garatti		Checked by: CLD		
Status: Released							

A B C D E F