



Main features

- Profibus node number programmer for MK4-P and IK4-P transducers.
- Powered from 10-32 VDC line (also powers the sensor), optional wall adapter.
- Simple onboard user interface

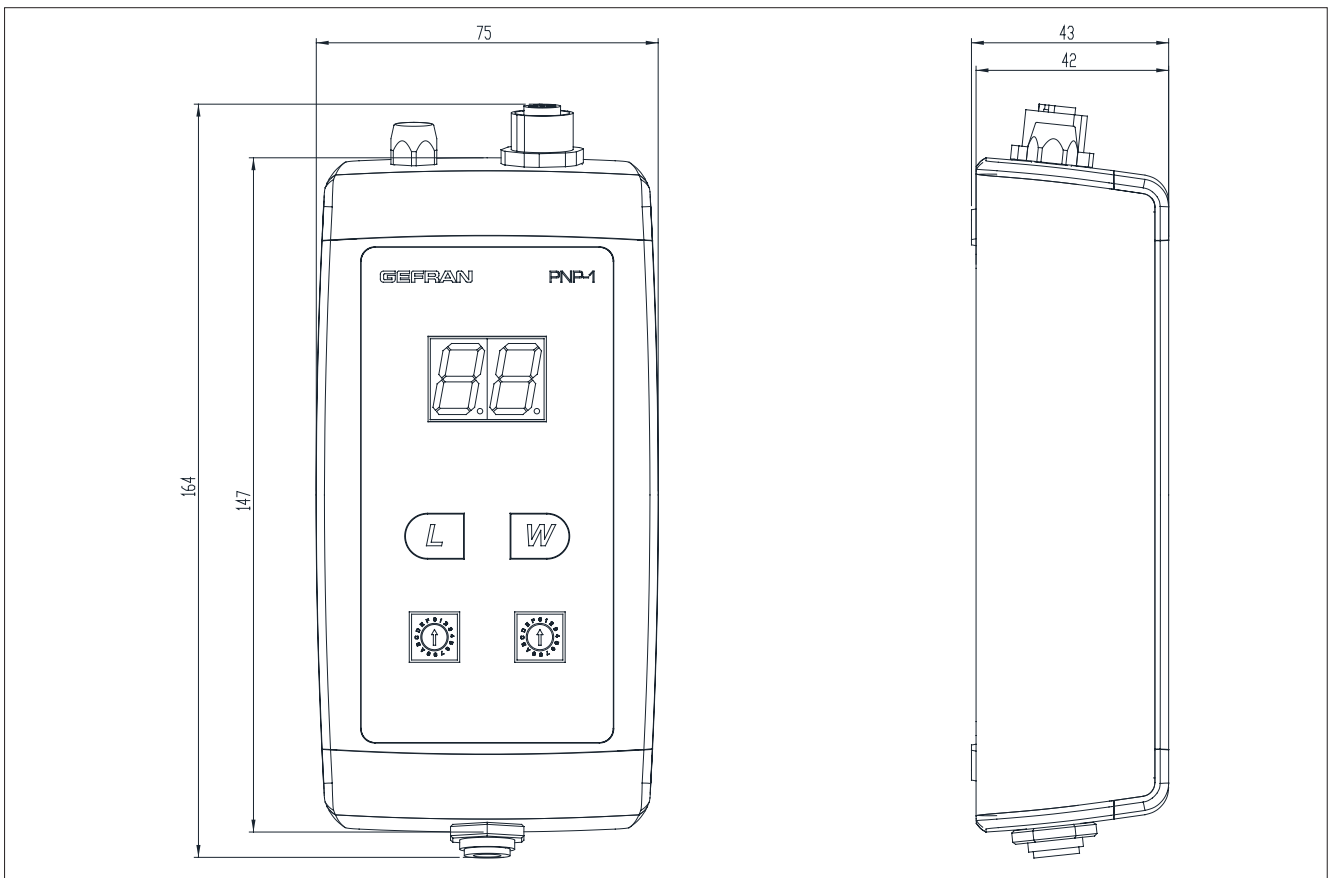
The Profibus node number programmer sets the node number for a series MK4-P / IK4-P sensor by connecting the programmer directly to the sensor you want.

Therefore, a Class 2 Master is no longer required for this operation.

TECHNICAL DATA

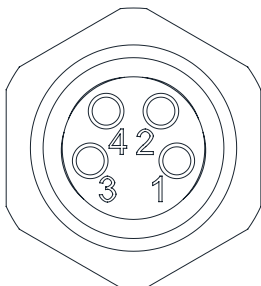
Power supply	10-32Vdc (wall adapter supplied as option)
Max power supply ripple	1Vpp
Current draw	2 W
Polarity inversion protection	YES
Overvoltage protection	YES
Self-resetting internal fuse	YES
Work temperature	- 20....+50°C
Storage temperature	- 20....+50°C

MECHANICAL DIMENSIONS



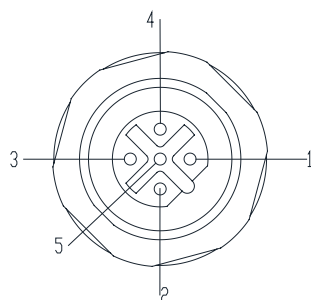
ELECTRICAL CONNECTIONS

M8 F (Supply OUT 24 Vdc)	
PIN	FUNCTION
1	POWER SUPPLY Out + (24 Vdc)
2	NC
3	POWER SUPPLY Out + (0 V)
4	NC



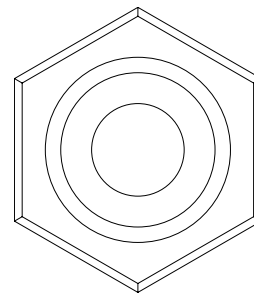
POWER SUPPLY OUT

M12 F (Profibus OUT)	
PIN	FUNCTION
1	5VD_ISO
2	LINE_A/N
3	GND_ISO
4	LINE_B/P
5	GROUND



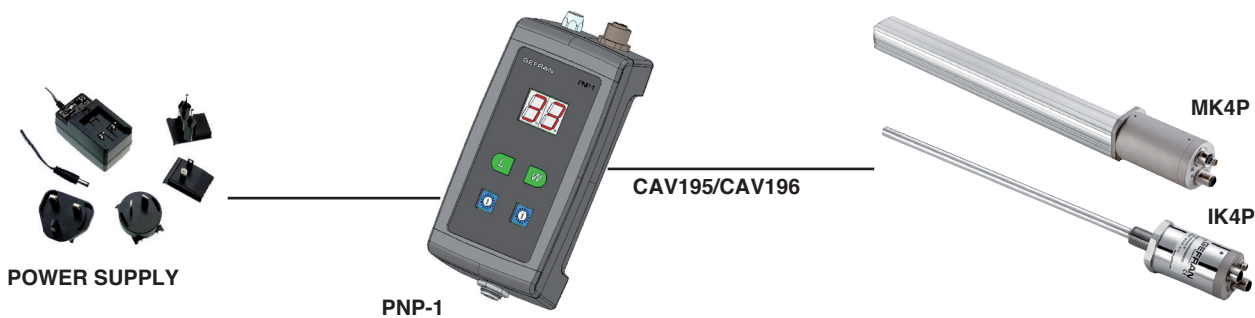
TO MK4P/IK4P

Jack 2.1 mm (Supply IN 24 Vdc)	
PIN	FUNCTION
1	POWER SUPPLY IN + (24 Vdc)
2	POWER SUPPLY IN + (0 V)



POWER SUPPLY IN

INSTALLATION AND USE



See the Instruction and Installation Manual for the Node Number Programmer.

ORDER CODE

PNP- Programmer X

Model

PNP

1

ACCESSORIES (ordered separately)

1.5M CABLE M8 4P M/F TPU SHIELDED (SUPPLY)	CAV196
1.5M CABLE M12 5P M/F PVC SHIELDED (PROFI)	CAV195
WALL ADAPTER 24 VDC, 0.625 A, 15 W, P1J	PKIT629

GEFRAN spa reserves the right to make aesthetic and functional changes at any time and without notice.

GEFRAN

GEFRAN spa
via Sebina, 74
25050 PROVAGLIO D'ISEO (BS) - ITALIA
ph. 0309888.1 - fax. 0309839063
Internet: <http://www.gefran.com>

DTS_PNP-1_09-2014_ENG