

**INSTALLATION AND INSTRUCTION MANUAL****SUPPLEMENT for model****CAN-I/O-D090080000A080000000000-002****codice F057637****cod. 81507 - Edizione 02-2014 - ENG****WARNING!**

This manual must be kept on hand together with the basic generic CAN-IO manual for all persons who use the devices described herein.

Always be sure that you have the most recent version of this manual, which you can download free of charge from Gefran's website ([www.gefran.com](http://www.gefran.com)).

Installers and/or maintenance personnel **MUST** read this manual and precisely follow the instructions contained herein and in the attachments: Gefran will not be liable to any harm to persons and/or damage to property or to the product itself if the conditions described below are not respected.



This manual and its attachments may be freely reproduced provided that the contents are not changed in any way and that this warning and Gefran S.p.A.'s statement of ownership appear on every copy

# CAN-IO

This module for remote inputs and outputs (I/O) lets you:

- acquire a wide range of data from controlled devices and the environment by means of signals and sensors;
- control and adjust devices by means of various types of signals and commands.

There are various models of the module, with control of up to 40 channels (inputs and outputs).

The module is supplied for plate mounting with IP00 protection rating.

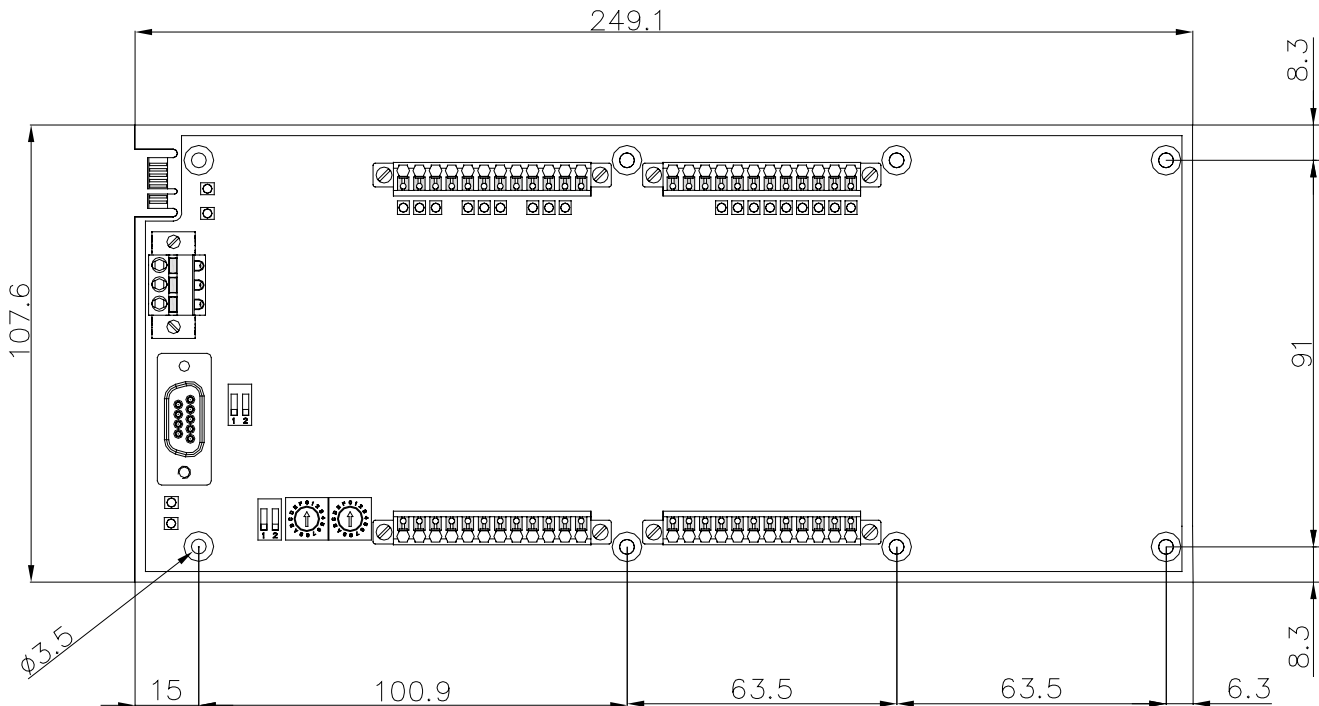
The following table shows the IO resources on the CAN-IO card code F057637 initials CAN-I/O-D090080000A080000000000-002.

Description	No
+24V digital inputs – current draw	9
+24VDC digital outputs 0.5A	8
0...20mA analog inputs	8

## Technical data

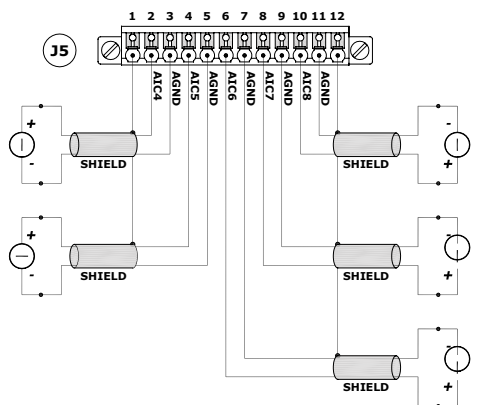
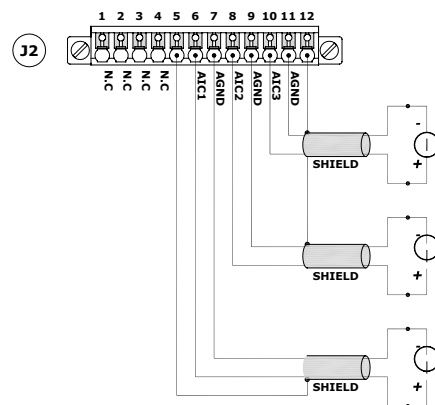
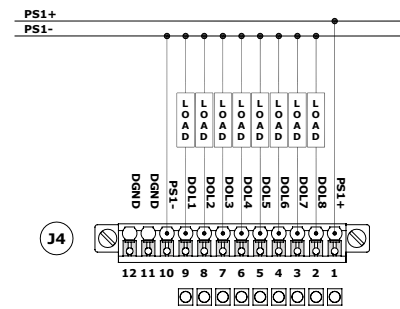
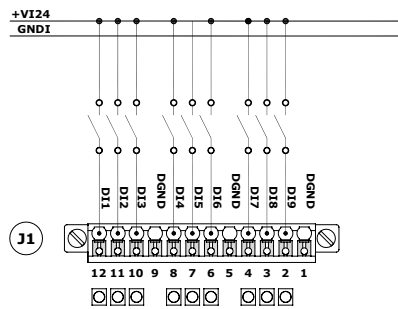
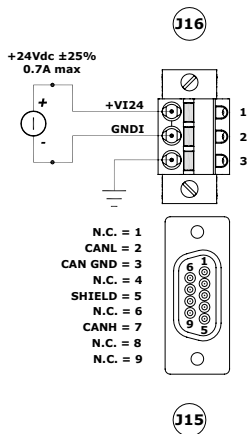
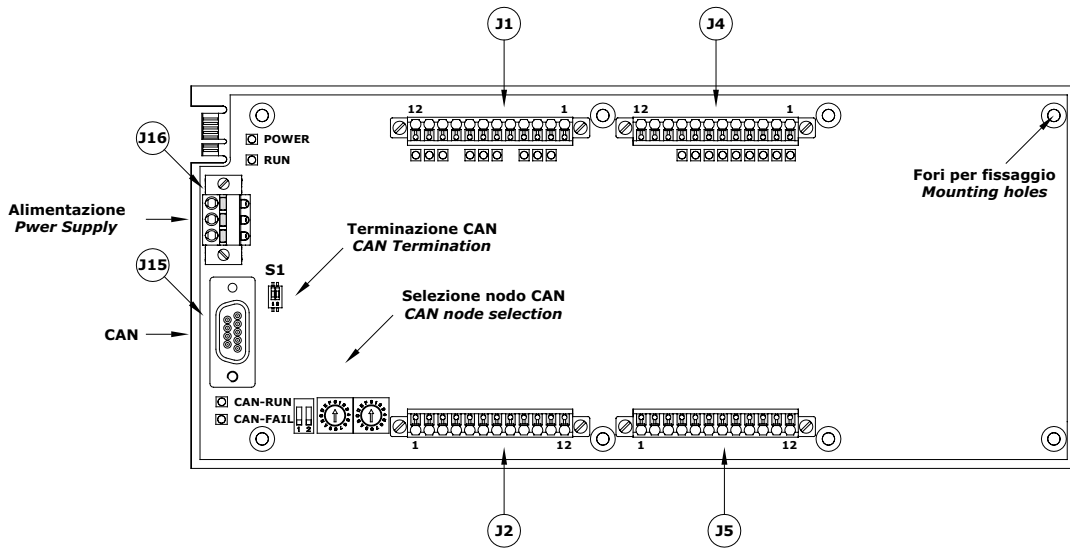
Refer to installation and instruction manual

## Dimensions



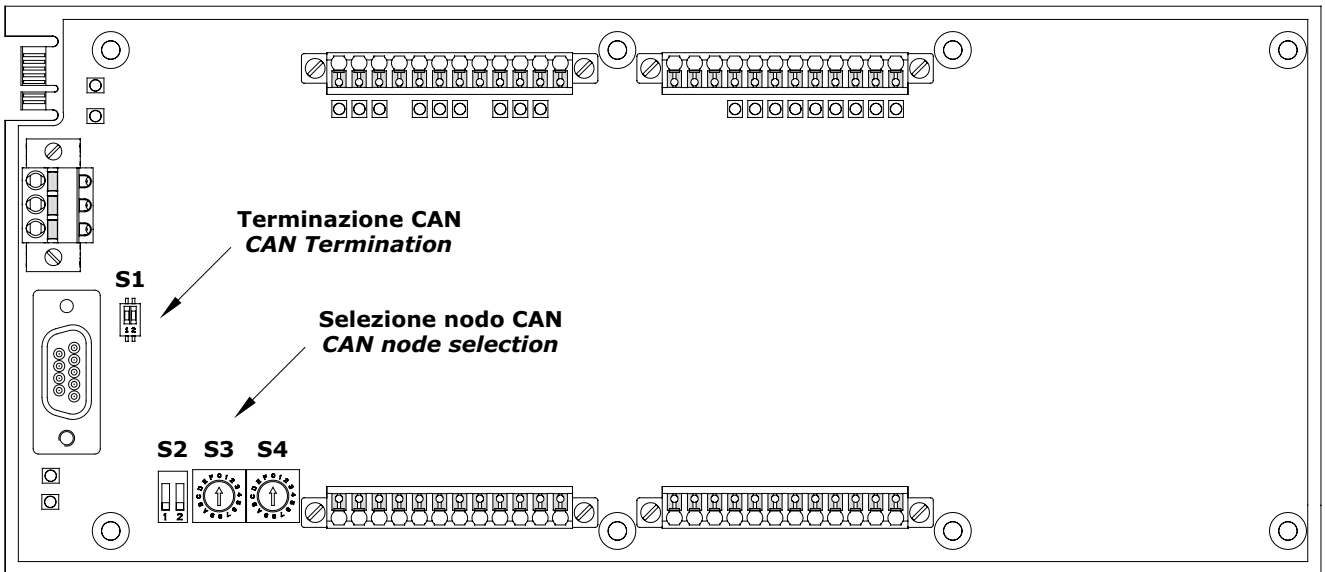
The module is supplied for mounting on the plate inside the panel. Use spacers with 10 mm minimum height and M3 screws.

# IO module connections



Note: N.C = do not connect

## Configuration



### Selezione indirizzo nodo CAN CAN node address selection

<b>S2</b>		Centinaia / <i>hundreds</i>
<b>S3</b>		Decine / <i>Tens</i>
<b>S4</b>		Unità / <i>unit</i>

### Terminazioni linea CAN CAN line termination

<b>S1</b>		ON- Terminazioni inserite <i>Termination connected</i>
		OFF- Terminazioni NON inserite <i>Termination NOT connected</i>

Shift the jumpers to the correct position based on the required input type.

# **GEFRAN**

GEFRAN spa  
via Sebina, 74  
25050 Provaglio d'Iseo (BS) Italy  
Tel. +39 0309888.1  
Fax +39 0309839063  
info@gefran.com  
<http://www.gefran.com>